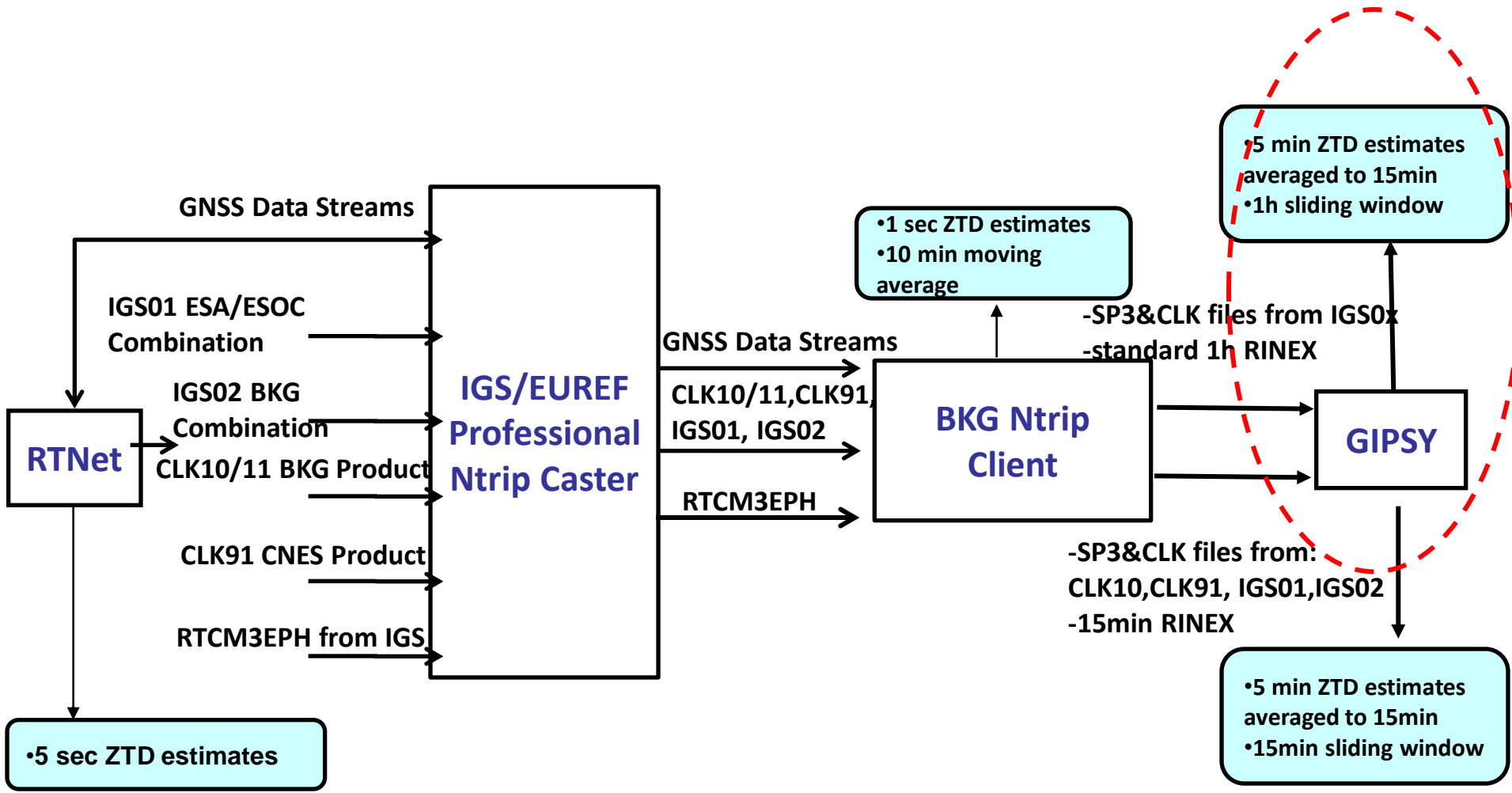


## Sub-WG PPP

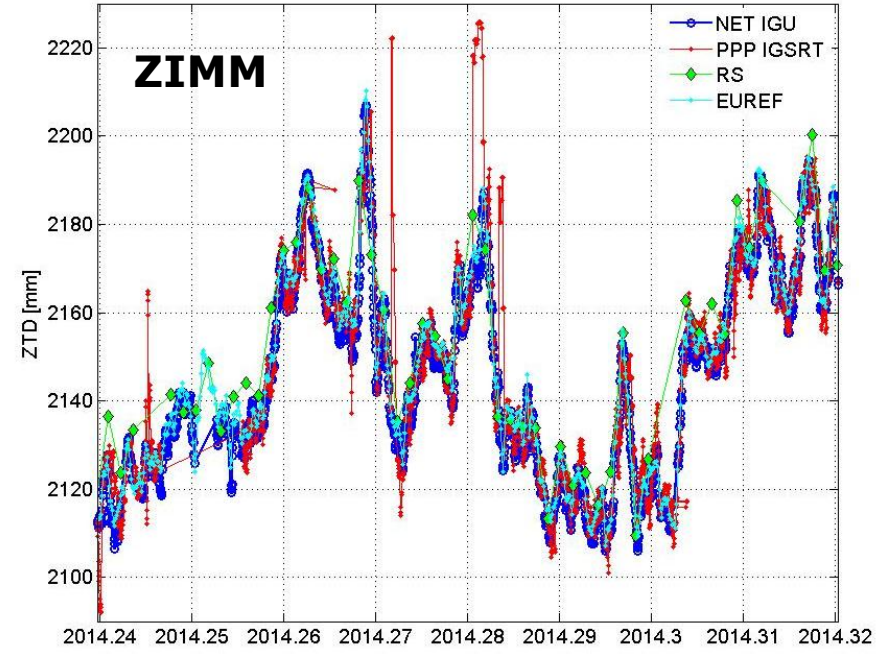
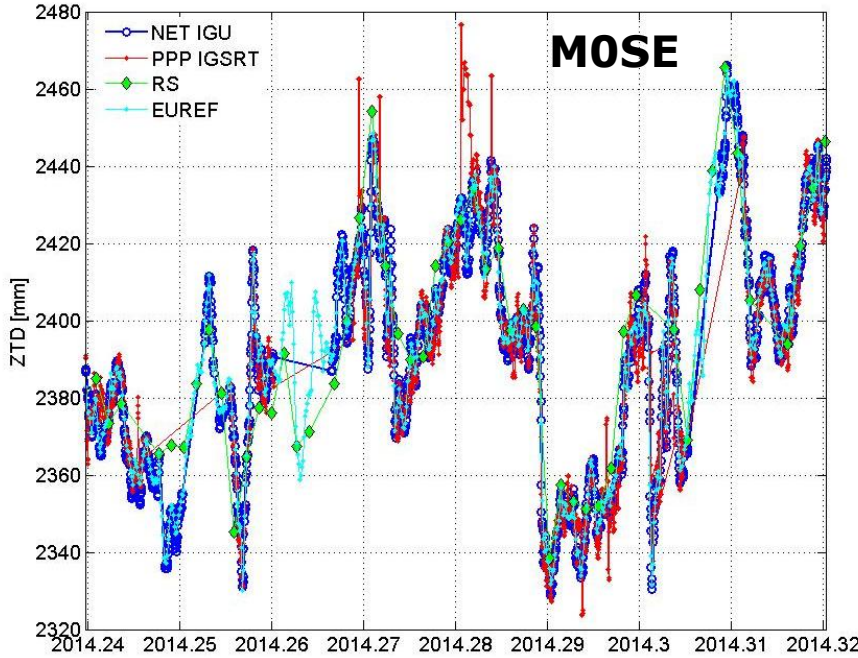
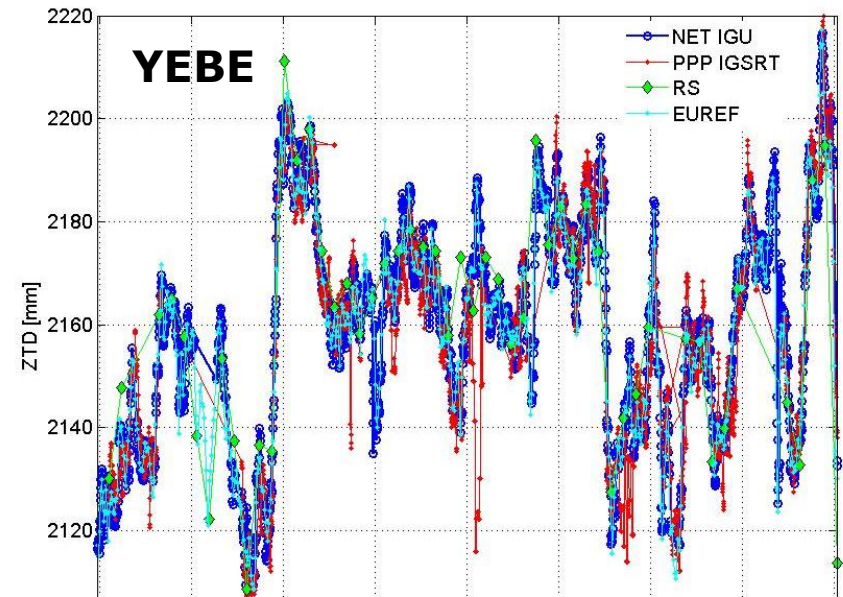
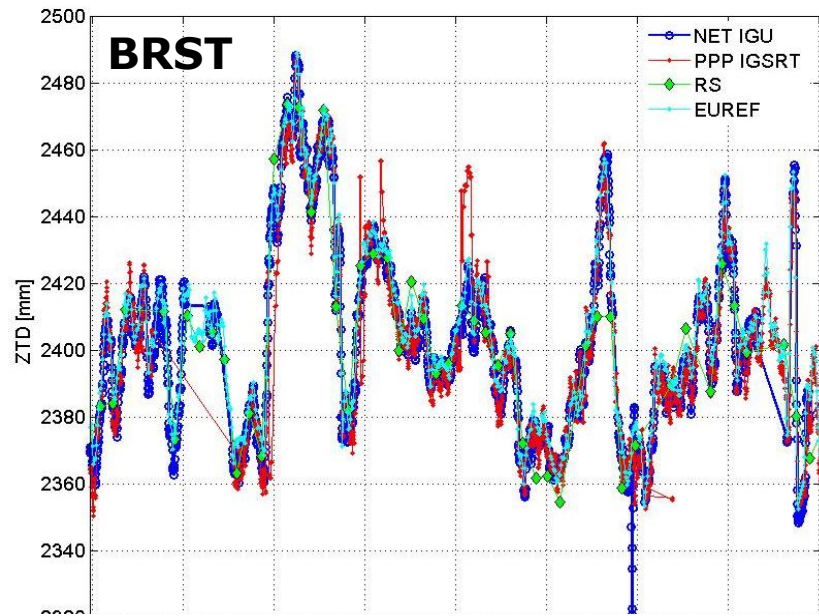
# NRT PPP with IGS RT products

Rosa Pacione (e-geos, ASI/CGS, Italy)

# Real Time, sub-hourly, hourly PPP system architecture



# ZTD Time series: Net IGU, PPP IGSRT, RS, EUREF



# Net IGU and PPP IGSRT vs. EUREF

